

DESCRIPTION

DIMENSIONS mm



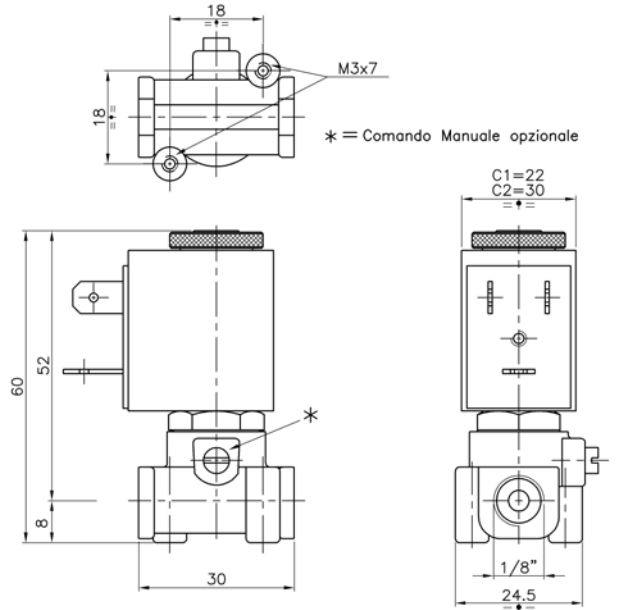
Two way direct acting solenoid valve with spring return, normally close.

Suitable for gaseous and liquid media compatible with the used material (body/seals), vacuum.

Forged brass body.
Brass guide tube.
Stainless steel internal parts.
Stainless steel springs.

Solenoid can be rotated 360°.

Valve will operate in any position.

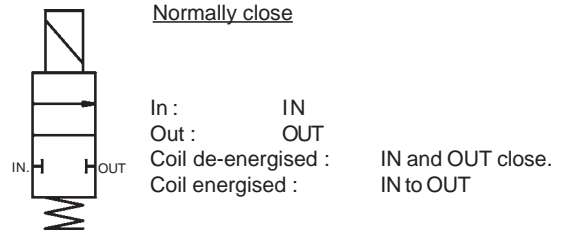


ELETTRICAL INFORMATION

Continuous duty glass-reinforced nylon moulded coil with electrical connection suitable for DIN-43650 plug (2 poles+ground) or faston wire terminal. Two cables available on request.

Coil type:	C1
Insulation class:	F (155°C), H (180°C) on request.
Winding wire class:	H (180°C)
Protection class:	Waterproof IP-65 (norme EN60529) when properly plug conncted when DIN-43650 plug.
Duty:	Continuous (S.I.) 100% ED
Power consumption:	Alternate Current 8VA (spunto 12VA) Direct Current 5,5W
Voltage tolerance:	a.c. +10% ÷ -15%, d.c. +10% ÷ -5%
Electrical Insulation:	>500 MOhm
Dielectrical Strenght:	>2000 V/1'
Standard voltage:	d.c. 12, 24 Volt a.c. 24, 110, 230 Volt (50/60 Hz) other voltages available on request.

OPERATION



Coil type C2 for higher performance or lower consumption on request.

SPECIFICATIONS AND AVAILABLE OPTIONS

MODEL			ORIFICE mm	BODY RATING MAX.	PRESSURES IN BAR MIN. / MAX. DIFFERENZIAL PRESSURES			Flow factor kv (l/min.)	Weight Kg
a	b	c d e f			MIN.	MAX. AC~	MAX. DC=		
L	01 B	12	1,2	25	0	25	25	0,65	0,14
L	01 B	15	1,5	25	0	16	16	1	0,14
L	01 B	20	2,0	25	0	12	10	1,5	0,14
L	01 B	25	2,5	25	0	10	5,5	2,3	0,14
L	01 B	31	3,1	25	0	6	2	3,1	0,14

a	b	c	d	e	f
Construction	Valve type	Port size	Seals material	Body material	Optional feature
A AC C DC B Latching pilot * <i>* Available only on request</i>	L 2 way	B 1/8" GAS	B NBR V VITON E EPDM W EPM WT PX * <i>* KTW certified for food</i>	T Brass N Nickel-plated brass	M Manual override SG Clean for oxigene I Stainless steel tube

DESCRIPTION



Two way direct acting solenoid valve with spring return, normally close.

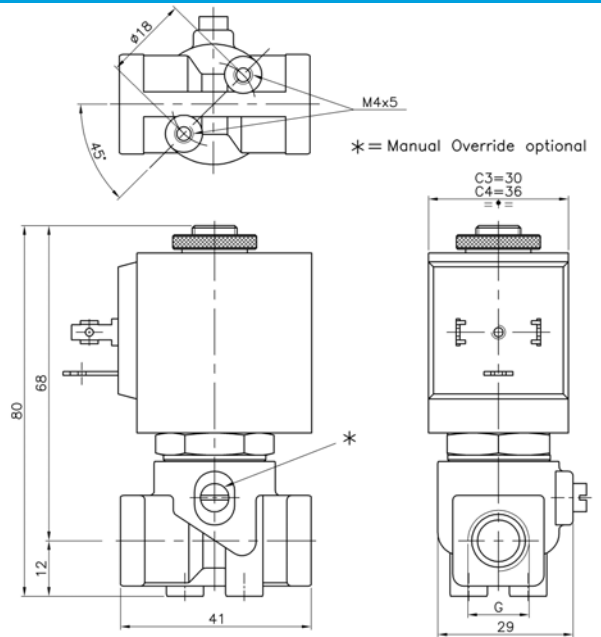
Suitable for gaseous and liquid media compatible with the used material (body/seals), vacuum.

Forged brass body.
Brass guide tube.
Stainless steel internal parts.
Stainless steel springs.

Solenoid can be rotated 360°.

Valve will operate in any position.

DIMENSIONS mm

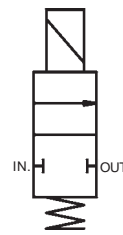


ELETTRICAL INFORMATION

Continuous duty glass-reinforced nylon moulded coil with electrical connection suitable for DIN-43650 plug (2 poles+ground) or faston wire terminal. Two cables available on request.

Coil type:	C3 / C4
Insulation class:	F (155°C), H (180°C) on request.
Winding wire class:	H (180°C)
Protection class:	Waterproof IP-65 (norme EN60529) when properly plug connected when DIN-43650 plug.
Duty:	Continuous (S.I.) 100% ED
Power consumption:	C3 Alternate Current 13VA (inrush 20VA) Direct Current 8W C4 Alternate Current 22VA (inrush 40VA) Direct Current 27W
Voltage tolerance:	a.c. +10% ÷ -15%, d.c. +10% ÷ -5%
Electrical Insulation:	>500 MOhm
Dielectrical Strength:	>2000 V/1'
Standard voltage:	d.c. 12, 24 Volt a.c. 24, 110, 230 Volt (50/60 Hz) other voltages available on request.

OPERATION



Normally close

In : IN
Out : OUT
Coil de-energised : IN and OUT close.
Coil energised : IN to OUT

SPECIFICATIONS AND AVAILABLE OPTIONS

MODEL					ORIFICE mm	PRESSURE IN BAR						Flow factor kv (l/min.)	WEIGHT Kg.	
						NOMINAL MAX.	MIN.	MIN./MAX. DIFFERENTIAL PRESSURE		MAX. with coil C3			MAX. with coil C4	
a	b	c	d	e	f			AC~	DC=	AC~	DC=	AC~	DC=	
L	02	B/C	15		1,5	100	0	30	26	60	55	1,2	0,30	0,38
L	02	B/C	20		2	100	0	22	20	45	40	1,7	0,30	0,38
L	02	B/C	25		2,5	100	0	16	14	35	33	2,5	0,30	0,38
L	02	B/C	35		3,5	100	0	10	8	20	19	5,4	0,30	0,38
L	02	C	45		4,5	100	0	6,5	3,5	14	13	6,9	0,30	0,38
L	02	C/D	52		5,2	100	0	4	1,8	9	9	7,9	0,30	0,38
L	02	D	60		6	100	0	2,7	1,1	5	5	10,5	0,30	0,38
L	02	D	75		7,5	100	0	1,8	0,7	3,5	3,5	15	0,30	0,38

a	b	c	d	e	f
Construction	Valve type	Port size	Seal material	Body material	Optional feature
A AC C DC B Latching pilot * <i>* Available only on request</i>	L 2 way N.C.	B 1/8" GAS J 1/8" NPT C 1/4" GAS K 1/4" NPT D 3/8" GAS N 3/8" NPT <i>NPT port available only on request</i>	B NBR V VITON E EPDM W EPM WT PX * R RULON H HNBR <i>* KTW certified for food</i>	T Brass N Nikel-plated brass Z Brass body with Stainless Steel orifice	M Manual override SG Clean for Oxigene

Rev.ENG-00/2012 - Le caratteristiche possono subire variazioni senza preavviso. / Characteristics may change without notice.

DESCRIPTION



Two way normally closed servoassisted diaphragm solenoid valve.

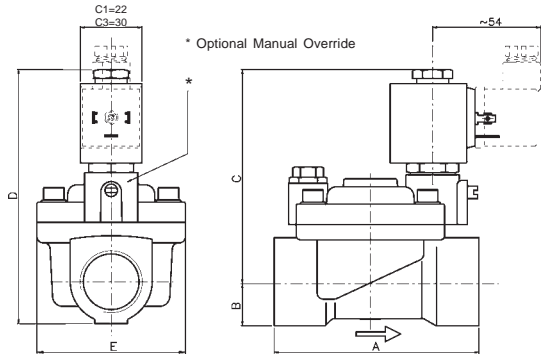
Suitable for gaseous and liquid media compatible with the (body/seals) material used.

Adjustable valve closing regulator to reduce water hammer available for size 1 1/4", 1 1/2" and 2".

Forged brass body and cover. Stainless steel guide tube, springs and internal parts.

Solenoid can be rotated 360°. Valve will operate in any position, preferably with vertical coil upwards.

DIMENSIONS mm



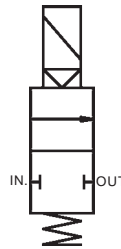
PORT SIZE	DIMENSIONS IN millimeters (mm)				
	A	B	C	D	E
3/8"	64	14	87	101	45
1/2"	64	14	87	101	45
3/4"	82	17	96	113	55
1"	100	20	103	123	70
1 1/4"	134	28	110	138	98
1 1/2"	134	28	110	138	98
2"	152	35	121	156	120

ELETTICAL INFORMATIONS

Continuous duty glass-reinforced nylon moulded coil with electrical connection suitable for DIN-43650 plug (2 poles+ground) or faston wire terminal. Two cables available on request.

Coil type:	C1 / C3
Insulation class:	F (155°C), H (180°C) on request.
Winding wire class:	H (180°C)
Protection class:	Waterproof IP-65 (norme EN60529) when properly plug conncted when DIN-43650 plug.
Duty:	Continuous (S.I.) 100% ED
Power consumption:	C1 Alternate Current 8VA (inrush 12VA) Direct Current 5,5W C3 Alternate Current 13VA (inrush 20VA) Direct Current 8W
Voltage tolerance:	a.c. +10% ÷ -15%, d.c. +10% ÷ -5%
Electrical Insulation:	>500 MOhm
Dielectrical Strenight:	>2000 V/1'
Standard voltage:	d.c. 12, 24 Volt a.c. 24, 110, 230 Volt (50/60 Hz) other voltages available on request.

OPERATION



Normally close

In : IN
Out : OUT
Coil de-energised : IN and OUT close.
Coil energised : IN to OUT

SPECIFICATIONS AND AVAILABLE OPTIONS

MODEL	ORIFICE mm	PRESSURES IN BAR						Flow factor kv (l/min.)	WEIGHT Kg.		
		BODY RATING	MIN./MAX. DIFFERENTIAL PRESSURE			Coil TYPE	POWER				
			MIN.	MAX. NORM. CLOSED AC=	DC=		VA inrush			W hold	W DC=
L 03 D 13	12,7	25	0,15	18	16	C1	12	8	5,5	35	0,49
L 03 E 13	12,7	25	0,15	18	16	C1	12	8	5,5	40	0,47
L 03 F 19	19	25	0,15	16	13	C1	12	8	5,5	90	0,74
L 03 G 25	25	25	0,15	12	10	C1	12	8	5,5	176	1,20
L 03 H 37	37	20	0,15	10	10	C3	20	13	8	300	3,05
L 03 I 37	37	20	0,15	10	10	C3	20	13	8	350	2,70
L 03 L 50	50	20	0,15	10	10	C3	20	13	8	600	4,61

a	b	c	d	e	f
Construction A AC C DC B Latching pilots * * available only from 3/8" to 1" valves.	Valve type L 2 way N.C.	Port size D 3/8" GAS N 3/8" NPT E 1/2" GAS O 1/2" NPT F 3/4" GAS Q 3/4" NPT G 1" GAS R 1" NPT H 1 1/4 GAS I 1 1/2 GAS I 1 1/2 NPT L 2" GAS V 2" NPT NPT port available only on request	Seals material B NBR V VITON E EPDM W EPM WT PX * * KTW certified for food	Body material T Brass N Nickel-plated brass I Stainless steel * * available only for 1/2" and 3/4" valves.	Optional feature M Manual override SG Clean for oxigene

Rev.ENG-00/2012 - Le caratteristiche possono subire variazioni senza preavviso. / Characteristics may change without notice.

DESCRIPTION

DIMENSIONS mm



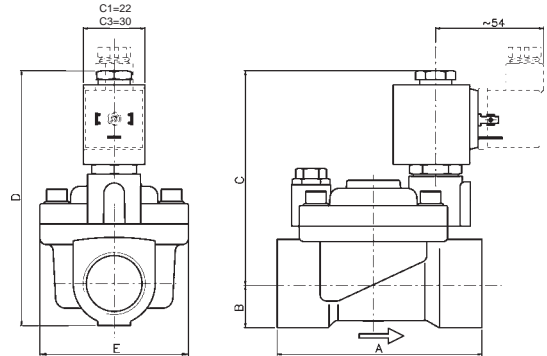
Two way normally open servoassisted diaphragm solenoid valve.

Suitable for gaseous and liquid media compatible with the (body/seals) material used.

Adjustable valve closing regulator to reduce water hammer available for size 1"¼, 1"½ and 2".

Forged brass body and cover.
Brass guide tube.
Stainless steel internal parts.
Stainless steel springs.

Solenoid can be rotated 360°.
Valve will operate in any position, preferably with vertical coil upwards.



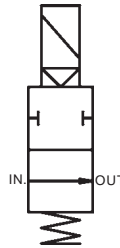
PORT SIZE	DIMENSIONS IN millimeters (mm)				
	A	B	C	D	E
3/8"	64	14	87	101	45
1/2"	64	14	87	101	45
3/4"	82	17	96	113	55
1"	100	20	103	123	70
1"¼	134	28	110	138	98
1"½	134	28	110	138	98
2"	152	35	121	156	120

ELETTRICAL INFORMATION

OPERATION

Continuous duty glass-reinforced nylon moulded coil with electrical connection suitable for DIN-43650 plug (2 poles+ground) or faston wire terminal. Two cables available on request.

Coil type:	C1 / C3												
Insulation class:	F (155°C), H (180°C) on request.												
Winding wire class:	H (180°C)												
Protection class:	Waterproof IP-65 (norme EN60529) when properly plug connected when DIN-43650 plug.												
Duty:	Continuous (S.I.) 100% ED												
Power consumption:	<table border="0"> <tr> <td>C1</td> <td>Alternate Current</td> <td>8VA (inrush 12VA)</td> </tr> <tr> <td></td> <td>Direct Current</td> <td>5,5W</td> </tr> <tr> <td>C3</td> <td>Alternate Current</td> <td>13VA (inrush 20VA)</td> </tr> <tr> <td></td> <td>Direct Current</td> <td>8W</td> </tr> </table>	C1	Alternate Current	8VA (inrush 12VA)		Direct Current	5,5W	C3	Alternate Current	13VA (inrush 20VA)		Direct Current	8W
C1	Alternate Current	8VA (inrush 12VA)											
	Direct Current	5,5W											
C3	Alternate Current	13VA (inrush 20VA)											
	Direct Current	8W											
Voltage tolerance:	a.c. +10% ÷ -15%, d.c. +10% ÷ -5%												
Electrical Insulation:	>500 MOhm												
Dielectric Strength:	>2000 V/1'												
Standard voltage:	d.c. 12, 24 Volt a.c. 24, 110, 230 Volt (50/60 Hz) other voltages available on request.												



Normally open

In : I N
Out : O U T
Coil de-energised : I N to O U T
Coil energised : I N and O U T close.

SPECIFICATIONS AND AVAILABLE OPTIONS

MODEL			ORIFICE mm	PRESSURES IN BAR					Flow factor kv (l/min.)	WEIGHT Kg.				
				BODY RATING	MIN./MAX. DIFFERENTIAL PRESSURE		Coil TYPE	POWER						
a	b	c	d		e	f		MIN.	MAX. NORM. CLOSED AC~	DC=	VA inrush	W hold	W DC=	
N	03	D	13	12,7	25	0,15	16	10	C1	12	8	5,5	35	0,49
N	03	E	13	12,7	25	0,15	16	10	C1	12	8	5,5	40	0,47
N	03	F	19	19	25	0,15	12	10	C1	12	8	5,5	90	0,74
N	03	G	25	25	25	0,15	9	5	C1	12	8	5,5	176	1,20
N	03	H	37	37	20	0,15	10	10	C3	20	13	8	300	3,05
N	03	I	37	37	20	0,15	10	10	C3	20	13	8	350	2,70
N	03	L	50	50	20	0,15	10	10	C3	20	13	8	600	4,61

a	b	c	d	e	f																																																
Construction	Valve type	Port size	Seals material	Body material	Optional feature																																																
<table border="0"> <tr><td>A</td><td>AC</td></tr> <tr><td>C</td><td>DC</td></tr> </table>	A	AC	C	DC	<table border="0"> <tr><td>N</td><td>2 way N.O.</td></tr> </table>	N	2 way N.O.	<table border="0"> <tr><td>D</td><td>3/8" GAS</td><td>N</td><td>3/8" NPT</td></tr> <tr><td>E</td><td>1/2" GAS</td><td>O</td><td>1/2" NPT</td></tr> <tr><td>F</td><td>3/4" GAS</td><td>Q</td><td>3/4" NPT</td></tr> <tr><td>G</td><td>1" GAS</td><td>R</td><td>1" NPT</td></tr> <tr><td>H</td><td>1 1/4 GAS</td><td></td><td></td></tr> <tr><td>I</td><td>1 1/2 GAS</td><td>I</td><td>1 1/2 NPT</td></tr> <tr><td>L</td><td>2" GAS</td><td>V</td><td>2" NPT</td></tr> </table> <p><i>NPT port available only on request</i></p>	D	3/8" GAS	N	3/8" NPT	E	1/2" GAS	O	1/2" NPT	F	3/4" GAS	Q	3/4" NPT	G	1" GAS	R	1" NPT	H	1 1/4 GAS			I	1 1/2 GAS	I	1 1/2 NPT	L	2" GAS	V	2" NPT	<table border="0"> <tr><td>B</td><td>NBR</td></tr> <tr><td>V</td><td>VITON</td></tr> <tr><td>E</td><td>EPDM</td></tr> <tr><td>W</td><td>EPM WT PX *</td></tr> </table> <p><i>* KTW certified for food</i></p>	B	NBR	V	VITON	E	EPDM	W	EPM WT PX *	<table border="0"> <tr><td>T</td><td>Brass</td></tr> <tr><td>N</td><td>Nickel-plated brass</td></tr> </table>	T	Brass	N	Nickel-plated brass	<table border="0"> <tr><td>SG</td><td>Clean for oxigene</td></tr> </table>	SG	Clean for oxigene
A	AC																																																				
C	DC																																																				
N	2 way N.O.																																																				
D	3/8" GAS	N	3/8" NPT																																																		
E	1/2" GAS	O	1/2" NPT																																																		
F	3/4" GAS	Q	3/4" NPT																																																		
G	1" GAS	R	1" NPT																																																		
H	1 1/4 GAS																																																				
I	1 1/2 GAS	I	1 1/2 NPT																																																		
L	2" GAS	V	2" NPT																																																		
B	NBR																																																				
V	VITON																																																				
E	EPDM																																																				
W	EPM WT PX *																																																				
T	Brass																																																				
N	Nickel-plated brass																																																				
SG	Clean for oxigene																																																				

Rev.ENG-00/2012 - Le caratteristiche possono subire variazioni senza preavviso. / Characteristics may change without notice.

GENERAL DESCRIPTION / APPLICATIONS

DIMENSIONS mm



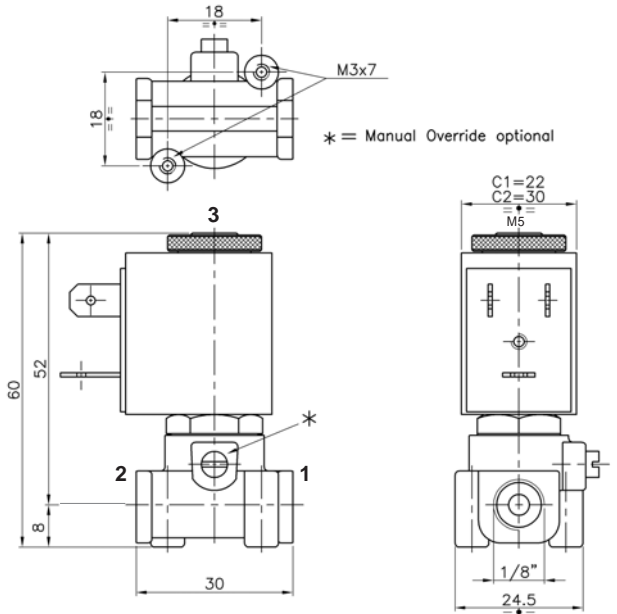
Three way direct acting solenoid valve with spring return, normally close.

Suitable for gaseous and liquid media compatible with the used material (body/seals), vacuum.

Forged brass body.
Brass guide tube.
Stainless steel internal parts.
Stainless steel springs.

Solenoid can be rotated 360°.

Valve will operate in any position.



ELETTRICAL INFORMATION

Continuous duty glass-reinforced nylon moulded coil with electrical connection suitable for DIN-43650 plug (2 poles+ground) or faston wire terminal. Two cables available on request.

Coil type:	C1
Insulation class:	F (155°C), H (180°C) on request.
Winding wire class:	H (180°C)
Protection class:	Waterproof IP-65 (norme EN60529) when properly plug connctted when DIN-43650 plug.
Duty:	Continuous (S.I.) 100% ED
Power consumption:	Alternate Current 8VA (inrush 12VA) Direct Current 5,5W
Voltage tollerance:	a.c. +10% ÷ -15%, d.c. +10% ÷ -5%
Electrical Insulation:	>500 MOhm
Dielectrical Strenght:	>2000 V/1'
Standard voltage:	d.c. 12, 24 Volt a.c. 24, 110, 230 Volt (50/60 Hz) other voltages available on request.

OPERATION

Normally closed



In :	2
Out :	1
Vent :	3
Coil de-energised :	Input 2 closed From 1 to vent 3
Coil energised :	From 2 to 1 Vent 3 closed

SPECIFICATIONS AND AVAILABLE OPTIONS

MODEL			ORIFICE mm	BODY RATING MAX.	PRESSURES IN BAR MIN. / MAX. DIFFERENZIAL PRESSURES			Flow factor kv (liters/min.)	Weight Kg
a	b	c d e f			MIN.	MAX. AC~	MAX. DC=		
C	01 B	12	1,2 (1,2)	15	0	15	15	0,65	0,14
C	01 B	15	1,5 (1,5)	10	0	10	10	1	0,14
C	01 B	20	2,0 (1,9)	6	0	6	6	1,5	0,14

a	b	c	d	e	f
Construction	Valve type	Port size G	Seals material	Body material	Optional feature
A AC C DC	C 3way	B 2 and 1 : 1/8" GAS 3 : M5	B NBR V VITON E EPDM	T Brass N Nichel-plated brass	M Manual override SG Clean for oxigene I Stainless steel guide tube

GENERAL DESCRIPTION / APPLICATIONS

DIMENSIONS mm



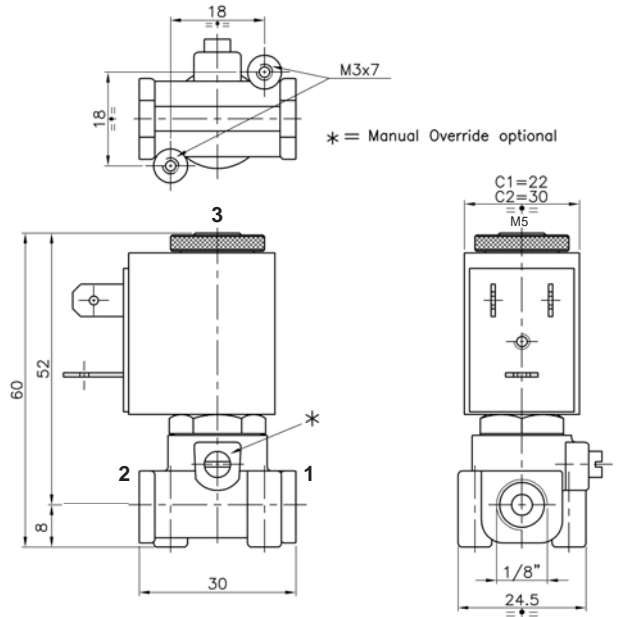
Three way direct acting solenoid valve with spring return, normally open.

Suitable for gaseous and liquid media compatible with the used material (body/seals), vacuum.

Forged brass body.
Brass guide tube.
Stainless steel internal parts.
Stainless steel springs.

Solenoid can be rotated 360°.

Valve will operate in any position.

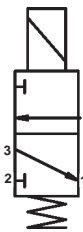


ELETTTRICAL INFORMATIONS

Continuous duty glass-reinforced nylon moulded coil with electrical connection suitable for DIN-43650 plug (2 poles+ground) or faston wire terminal . Two cables available on request.

Coil type:	C1
Insulation class:	F (155°C), H (180°C) on request.
Winding wire class:	H (180°C)
Protection class:	Waterproof IP-65 (norme EN60529) when properly plug conncteted when DIN-43650 plug.
Duty:	Continuous (S.I.) 100% ED
Power consumption:	Alternate Current 8VA (inrush 12VA) Direct Current 5,5W
Voltage tollerance:	a.c. +10% ÷ -15%, d.c. +10% ÷ -5%
Electrical Insulation:	>500 MOhm
Dielectrical Strenght:	>2000 V/1'
Standard voltage:	d.c. 12, 24 Volt a.c. 24, 110, 230 Volt (50/60 Hz) other voltages available on request.

OPERATION



Normally open

In :	3
Out :	1
Vent :	2
Coil de-energised :	From 3 to 1 Vent 2 closed
Coil energised :	Input 3 closed From 1 to vent 2

SPECIFICATIONS AND AVAILABLE OPTIONS

MODEL				ORIFICE mm		BODY RATING MAX.	PRESSURES IN BAR MIN. / MAX. DIFFERENZIAL PRESSURES			Flow factor kv (liters/min.')	Weight Kg	
a	b	c	d	e	f		MIN.	MAX. AC-	MAX. DC=			
C	01	B	12	S	1,2	1,2	12	0	12	12	0,65	0,14
C	01	B	15	S	1,5	1,5	10	0	10	10	1	0,14
C	01	B	17	S	1,9	1,7	8	0	8	8	1,5	0,14

a	b	c	d	e	f
Construction	Valve type	Port size G	Seals material	Body material	Optional feature
A AC C DC	C 3 way	B 2 and 1 : 1/8" GAS 3 : M5	B NBR V VITON E EPDM	T Brass N Nickel-plated brass	M Manual override SG Clean for oxigene I Stainless steel guide tube

GENERAL DESCRIPTION / APPLICATIONS

DIMENSIONS mm



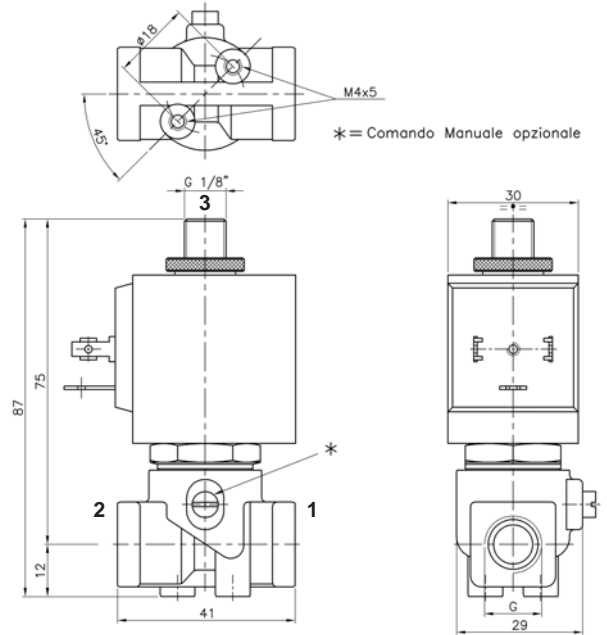
Three way direct acting solenoid valve with spring return, normally close.

Suitable for gaseous and liquid media compatible with the used material (body/seals), vacuum.

Forged brass body.
Stainless steel guide tube.
Stainless steel internal parts.
Stainless steel springs.

Solenoid can be rotated 360°.

Valve will operate in any position.



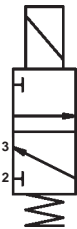
ELETTRICAL INFORMATION

Continuous duty glass-reinforced nylon moulded coil with electrical connection suitable for DIN-43650 plug (2 poles+ground) or faston wire terminal. Two cables available on request.

Coil type:	C3
Insulation class:	F (155°C), H (180°C) on request.
Winding wire class:	H (180°C)
Protection class:	Waterproof IP-65 (norme EN60529) when properly plug conncted when DIN-43650 plug.
Duty:	Continuous (S.I.) 100% ED
Power consumption:	Alternate Current 13VA (inrush 20VA) Direct Current 8W
Voltage tolerance:	a.c. +10% ÷ -15%, d.c. +10% ÷ -5%
Electrical Insulation:	>500 MOhm
Dielectrical Strenght:	>2000 V/1'
Standard voltage:	d.c. 12, 24 Volt a.c. 24, 110, 230 Volt (50/60 Hz) other voltages available on request.

OPERATION

Normally closed



In :	2
Out :	1
Vent :	3
Coil de-energised :	Input 2 closed From 1 to vent 3
Coil energised :	From 2 to 1 Vent 3 closed

SPECIFICATIONS AND AVAILABLE OPTIONS

MODEL			ORIFICE mm	BODY RATING MAX.	PRESSURES IN BAR MIN. / MAX. DIFFERENZIAL PRESSURES			Flow factor kv (liters/min.)	Weight Kg
a b	c d	e f			MIN.	MAX. AC~	MAX. DC=		
C 02	15		1,5 (1,5)	15	0	15	15	1,2	0,33
C 02	20		2,0 (2,0)	13	0	13	13	1,7	0,33
C 02	25		2,4 (2,4)	10	0	10	10	2,3	0,33

a	b	c	d	e	f
Construction	Valve type	Port size G	Seals material	Body material	Optional feature
A AC C DC	C 3 way	B 2 and 1 : 1/8" GAS C 2 and 1 : 1/4" GAS 3 : 1/8" GAS	B NBR V VITON E EPDM	T Brass N Nichel-plated brass	M Manual override SG Clean for oxigene

GENERAL DESCRIPTION / APPLICATIONS

DIMENSIONS mm



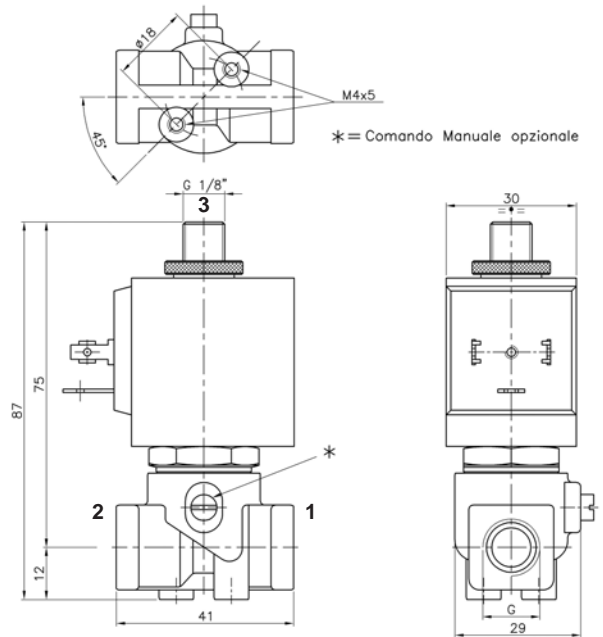
Three way direct acting solenoid valve with spring return, normally open.

Suitable for gaseous and liquid media compatible with the used material (body/seals), vacuum.

Forged brass body.
Stainless steel guide tube.
Stainless steel internal parts.
Stainless steel springs.

Solenoid can be rotated 360°.

Valve will operate in any position.

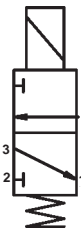


ELETTRICAL INFORMATION

Continuous duty glass-reinforced nylon moulded coil with electrical connection suitable for DIN-43650 plug (2 poles+ground) or faston wire terminal. Two cables available on request.

Coil type:	C3
Insulation class:	F (155°C), H (180°C) on request.
Winding wire class:	H (180°C)
Protection class:	Waterproof IP-65 (norme EN60529) when properly plug connctted when DIN-43650 plug.
Duty:	Continuous (S.I.) 100% ED
Power consumption:	Alternate Current 13VA (inrush 20VA) Direct Current 8W
Voltage tolerance:	a.c. +10% ÷ -15%, d.c. +10% ÷ -5%
Electrical Insulation:	>500 MOhm
Dielectrical Strenght:	>2000 V/1'
Standard voltage:	d.c. 12, 24 Volt a.c. 24, 110, 230 Volt (50/60 Hz) other voltages available on request.

OPERATION



Normally open

In :	3
Out :	1
Vent :	2
Coil de-energised :	From 3 to 1 Vent 2 closed
Coil energised :	Input 3 closed From 1 to vent 2

SPECIFICATIONS AND AVAILABLE OPTIONS

MODEL						ORIFICE mm	BODY RATING MAX.	PRESSURES IN BAR MIN. / MAX. DIFFERENZIAL PRESSURES			Flow factor kv (liters/min.')	Weight Kg
a	b	c	d	e	f			MIN.	MAX. AC-	MAX. DC-		
C	02		15	S		1,5 (1,5)	15	0	15	15	1,2	0,33
C	02		25	S		2,4 (2,4)	9	0	9	9	2,2	0,33
C	02		29	S		2,9 (2,8)	6,5	0	6,5	6,5	2,8	0,33

a	b	c	d	e	f
Construction A AC C DC	Valve type C 3way	Port size G B 2 and 1 : 1/8" GAS C 2 and 1 : 1/4" GAS 3 : 1/8" GAS	Seals material B NBR V VITON E EPDM	Body material T Brass N Nichel-plated brass	Optional feature M Manual override SG Clean for oxigene



TWO WAY SERVOASSISTED PISTON SOLENOID VALVE

L08

CHARACTERISTICS

Two way, two position servoassisted piston solenoid valve.

- Forged brass (OT58), nickel-plated brass, stainless steel (AISI-316) body.
- Stainless steel internal parts.
- Stainless steel spring.
- Compact solenoid assembly with tropicalized, glass-reinforced nylon moulded coil. Electrical connection "faston type" suitable for DIN43650 plug. Class of insulation F (150°C) class H (180 °C) winding wire.
- Solenoid completely separated from the fluid.
- Protection IP65 according to EN60529 standards when properly plug connected with PG9 cable gland.
- 360° orientable solenoid.
- Any position working.



MODEL	L08
Operation mode	Normally closed
Optional Manual operator	YES
Diametro connessioni di processo	3/8", 1/2", 3/4"
Use	Gaseous and liquid (medium-density max 2°E) media.
Power supply values	12, 24, 48, 110, 220 Vac/Vdc. Altre a richiesta.
Max. Power consumption.	Vac = 13VA Inrush 20VA Vdc = 8W
Ambient temperature	-10°C ÷ +55°C
Seals	NBR, VITON, EPDM
Fluid temperature	-10°C ÷ +140°C (depending on seals used)
Orifice size.	12,7 ÷ 19 millimetri (depending on connection size used)
Differential pressure range.	0,15 ÷ 50 bar

In order to make product improvement FG line could modify the characteristics without advice.



**TWO WAY SERVOASSISTED
PISTON SOLENOID VALVE**

**L07 - L27
N07 - N27**

CHARACTERISTICS

Two way, two position servoassisted piston solenoid valve.

- Forged brass (OT58), nickel-plated brass, stainless steel (AISI-316) body.
- Stainless steel internal parts.
- Stainless steel spring.
- Compact solenoid assembly with tropicalized, glass-reinforced nylon moulded coil. Electrical connection "faston type" suitable for DIN43650 plug. Class of insulation F (150°C) class H (180 °C) winding wire.
- Solenoid completely separated from the fluid.
- Protection IP65 according to EN60529 standards when properly plug connected with PG9 cable gland.
- 360° orientable solenoid.
- Any position working.



MODEL	L07	L27	N07	N27
Operation mode	Normally closed		Normally open	
Optional Manual operator	YES		NO	
Diametro connessioni di processo	3/8", 1/2", 3/4", 1" GAS / NPT			
Power supply values	24, 110, 230 Vac - 12, 24 Vdc -. Other upon request.			
Use	Gaseous and liquid (medium-density max 2°E) media.			
Max. Power consumption.	Vac = 8VA Spunto 12VA Vdc = 5,5W	Vac = 13VA Spunto 20VA Vdc = 8W	Vac = 8VA Spunto 12VA Vdc = 5,5W	Vac = 13VA Spunto 20VA Vdc = 8W
Ambient. temp.	-10°C ÷ +55°C			
Seals	NBR, FPM, EPDM			
Fluid temperature	-10°C ÷ +140°C (depending on seals used)			
Orifice diameter.	12,7 ÷ 25 millimeters (depending on connection size used)			
Differential pressure range.	0,15 ÷ 18	0,15 ÷ 20	0,15 ÷ 10	0,15 ÷ 12
	(depending on orifice size and operation mode)			

In order to make product improvement FG line could modify the characteristics without advice.



TWO WAY SERVOASSISTED PISTON SOLENOID VALVE

N06

CHARACTERISTICS

Two way, two position servoassisted piston solenoid valve.

- Forged brass (OT58), nickel-plated brass, stainless steel (AISI-316) body.
- Stainless steel internal parts.
- Stainless steel spring.
- Compact solenoid assembly with tropicalized, glass-reinforced nylon moulded coil. Electrical connection "faston type" suitable for DIN43650 plug. Class of insulation F (150°C) class H (180 °C) winding wire.
- Solenoid completely separated from the fluid.
- Protection IP65 according to EN60529 standards when properly plug connected with PG9 cable gland.
- 360° orientable solenoid.
- Any position working.



MODEL	N06
Operation mode	Normally open
Connections size.	1/8"
Use	Gaseous and liquid (medium-density max 2°E) media.
Power supply values	12, 24, 48, 110, 220 Vac/Vdc. Altre a richiesta.
Max. Power consumption.	Vac = 8VA Inrush12VA Vdc = 5,5W
Ambient temperature	-10°C ÷ +55°C
Seals	NBR, VITON, EPDM
Fluid temperature	-10°C ÷ +140°C (depending on seals used)
Orifice size.	5,2 ÷ 7,5 millimetri (depending on connection size)
Differential pressure range.	0,3 ÷ 40 bar (depending on orifice size)

In order to make product improvement FG line could modify the characteristics without advice.